

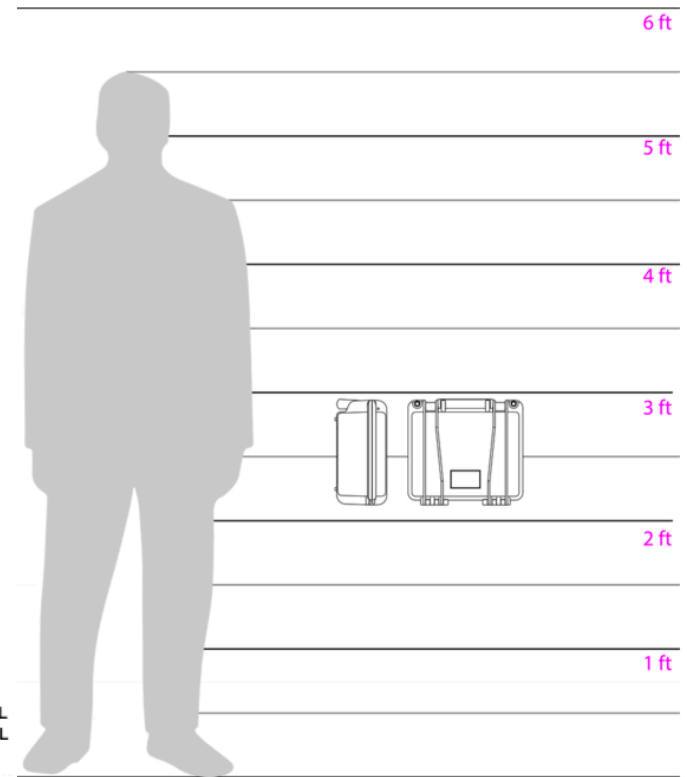
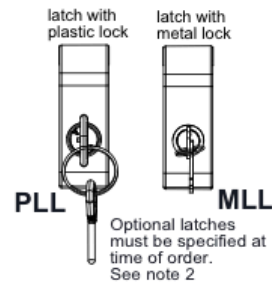
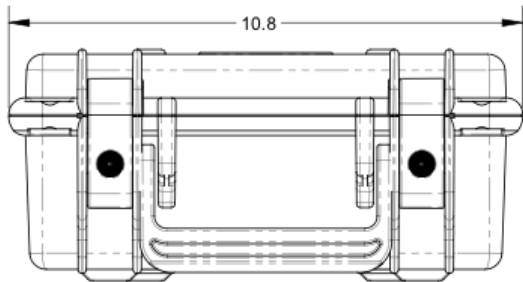
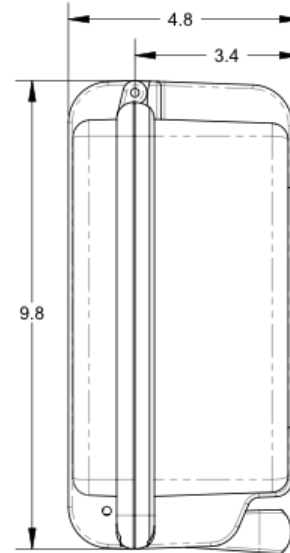
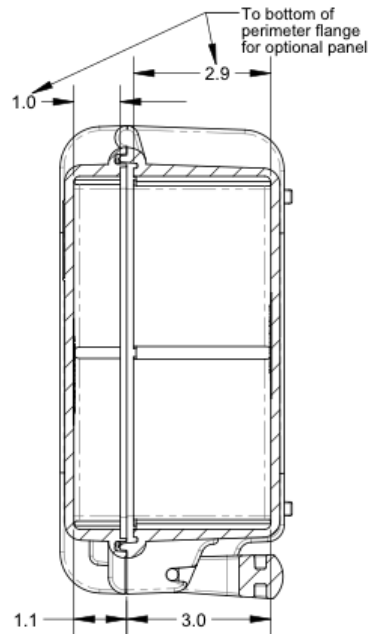
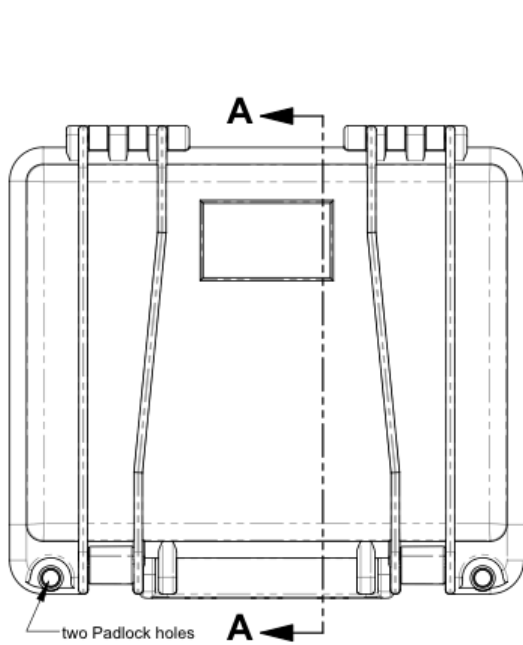
SE300

HARDERBACK

Maletas Industriales | Maletines Militares
Estuches de Protección | Cajas Polipropileno
Mochilas Resistentes | Cajas Biometricas



[Draw]



NOTES:

- 1) Max. usable inside dimensions are:
9 1/2" X 7 3/8" X 4 1/8" (9.5" X 7.4" X 4.1")
- 2) With Metal Lock Latches p/n SE300ML and Plastic Lock Latches p/n SE300PL are optional.